



## Technical Specification

### PRD WAGON DRILL



Note: The images provided here are for reference only and do not depict the exact specification outlined in this document.





<b>Application</b>	Aggregate quarry, limestone, construction and surface mining.														
<b>Drilling Method</b>	DTH Drilling														
<b>Capacity</b>	Hole Diameter : 102 – 115 mm (4" - 4 ½") diameter														
	Maximum Depth : 30 m														
<b>Feed System</b>	Strong structural steel channel construction with chain drive														
	Feed Drive : 4.5 hp														
	Head Travel : 2.35 m														
	Rod Handling : 2 m														
	Mast Lateral Swivel : ±15°														
	Pull Down Force : 2200 kgf														
	Pull Up Force : 2000 kgf														
	Pull Down / Up Speed : 15 m/min														
<b>Rotary Head Assembly</b>	Rotation Drive : 4.5 hp														
	Torque : 1125 Nm														
	Speed : 0 – 50 rpm														
<b>Dimension</b>	<table border="1"> <thead> <tr> <th colspan="2">Length</th> <th colspan="2">Height</th> <th rowspan="2">Width</th> </tr> <tr> <th>Mast Raised</th> <th>Mast Lowered</th> <th>Mast Raised</th> <th>Mast Lowered</th> </tr> </thead> <tbody> <tr> <td>3150 mm</td> <td>3900 mm</td> <td>3.6 m</td> <td>900 mm</td> <td>1850 mm</td> </tr> </tbody> </table>	Length		Height		Width	Mast Raised	Mast Lowered	Mast Raised	Mast Lowered	3150 mm	3900 mm	3.6 m	900 mm	1850 mm
	Length		Height		Width										
	Mast Raised	Mast Lowered	Mast Raised	Mast Lowered											
3150 mm	3900 mm	3.6 m	900 mm	1850 mm											
Min Height for Horizontal Drilling : 900 mm															
Weight : 975 kgs															
<b>Drill Rods</b>	76 mm dia x 2 m														

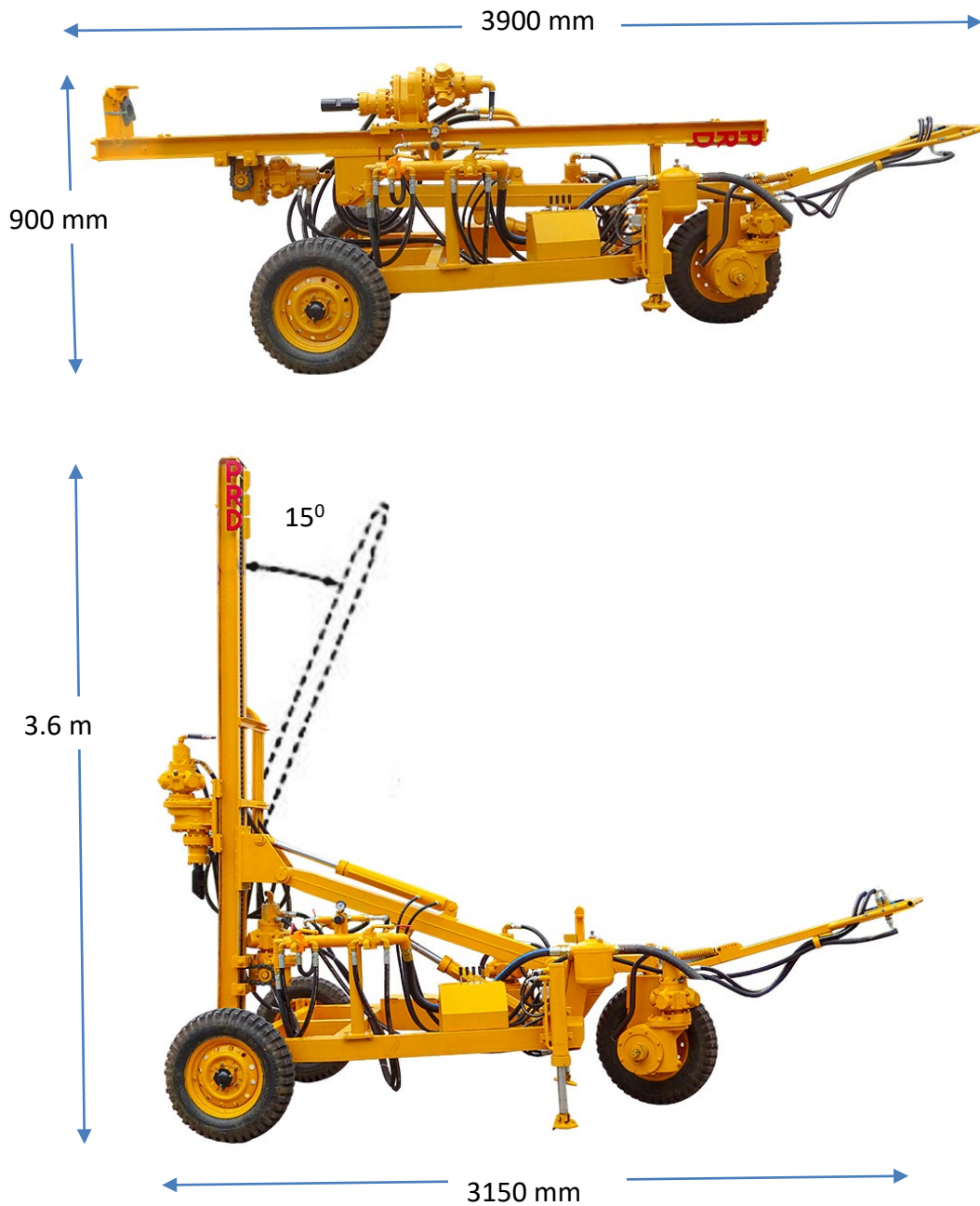




<b>Propel Wheel Drive</b>	8 hp
<b>Drive Speed</b>	0 – 1.5 km/hr
<b>Air Compressor</b>	450 cfm – 100 psi

*\*Combinations will vary according to our Design feasibility*

### Dimensions





**HAPPY DRILLING FOREVER WITH PRD RIGS**

